

COPIER/PRINTER TECHNICAL DATA SHEET

REV NO: 1.2

MODEL NAME	TYPE	STANDARD PRINT SPEED	MINIMUM POWER SUPPLY REQUIREMENT		
iR3225/3225N	Body Type: Console	25 CPM A4	Clean 230v 50HZ Via 13 Amp Plug 1,500 Watts Power Consumption Maximum		
PRODUCT ACCESSORIES		Product Accessories			
DADF-U1 or Platen Type M		Universal Send Kit-P1			
iR3100C Plain Pedestal		Bar Code Printing Kit-A1			
Cassette Feeder Unit-Y3		Secure Watermark Kit-A1			
Finisher-AE1 and Saddle Finisher-AE2		Encrypted Printing Software-C1			
Buffer Pass Unit-E2		HDD Data Erase Kit-A1			
Puncher Unit L1, N1		HDD Encryption Kit-B5			
Inner 2way Tray-D1 / Copy Tray J1		IPSec Board-A1			
Side Paper Deck Q1		Send PDF Security-B1			
Finisher S1 (Internal)		Additional Memory Type A(512MB)			
Additional Finisher Tray-B1		Expansion Bus-B1			
Internal Puncher Q1/S1		Remote Op Software-A3			
Expansion Bus-E1		Digital User Signature Kit-B1			
UFR II Printer Kit-AA1		Super G3 Fax-AC1			
UFR II/PCL Printer Kit-AA1		Voice Guidance-D1			
PS Printer Kit-AA1		Voice Operation-B1			
Wireless LAN Board-A1		ADF Access Handle-A1			
Web Access Software-G1					
Universal Send Advanced Features Kit-B1					
Universal Send Security Features Kit-B1					
BASIC COPIER SPECIFICATION		PRINTER ENGINE SPECIFICATION		FIRST COPY OUT TIMES	
LED (CIS)		Laser Exposure		4.9 secs or less From Glass (Book Mode)	
600 x 600 DPI Colour Scanning		600 x 2400 (equivalent) dpi Resolution Printing		Conditions:	
999 copies continuously		600x1200 dpi (equivalent) dpi Resolution Copying		Cassette 1 A4	
Duplex - Standard Automatic Stackless		256 Gradations of Halftone		Non AE	
Mailbox up to 8,000 pages		60Gb Hard Drive		Text mode	
ACCEPTABLE ORIGINAL TYPES		Roller Charging & Transfer Method		Not with Finisher-Q3/Saddle-Q4	
Sheets, Books,		35 Secs or less max warm up tim			
A3 maximum size		RAM: 512MB (plus 256 option) for non 'N' version		TONER CONSUMPTION	
		RAM: 1.0GB (plus 256 option) for 'N' version		Approx 21K A4 Sheets @ 5% Coverage	
		Monocomponent Development System		DRUM LIFE	
		Toner C-EXV 11 Black		75,000 copies approx.	
		C-EXV 11/12 Drum Unit (9630A003BA)			
COPYING / PRINTING REPRODUCTION SPEEDS			Copies/min (1-to-N)		
Media Types	Copying Speed	Paper Size	iR3225/N		
Plain Paper 64-128 gsm Transparencies, Heavyweight Paper, Tracing Paper, Eco Paper, Recycled Paper	100 % Ratio	A3	14		
		A4	25		
Zoom Range			Double Siding		
25~400% In 1% Increments			A5R-A3 64-128gsm		
PAPER SOURCE AND MEDIA SIZES			COUNTER TYPE		
Auto Duplex	A5R-A3		Electronically changed in Service Mode to display various combinations. Eight displays available.		
Cassettes 64-90g/m ²	A3, A4, A4R, A5R		AUTO SLEEP / AUTOCLEAR		
Manual Feed 64-128g/m ²	A5R-A3		Yes, customer adjustable		
Side Paper Deck-Q1 64-90g/m ²	A4		SCANNING OPTION		
			Available over local network using Colour Network ScanGear, Universal Send Kit-P1 & System Upgrade RAM-A1		

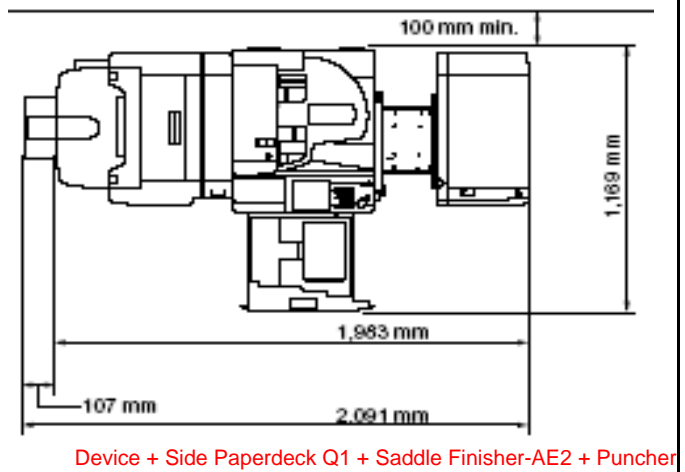
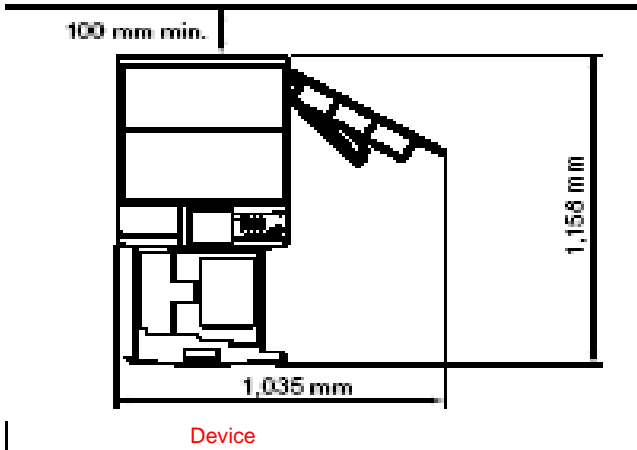


PAPER SPECIFICATION		
Feed Location	Capacity	Type of Media
Standard Cassette	550 Sheets 80g/m ²	Plain Paper (64 - 90g/m ²)
Manual Feed	50 Sheets 80 g/m ²	Plain Paper (64- 128g/m ²) Transparencies
Paper Deck-Q1	2700 Sheets 80g/m ²	
Automatic Duplex	Single Through-path, Double Sided (No Holding Tray)	Plain Paper (80g/m ²)
Manual Feed Double Sided(Not Duplex)	50 Sheets 80 g/m ² Central Reference Adjustment	Plain Paper (64 to 128g/m ²)

ENVIRONMENTAL DATA			
Power Consumption	Operating Noise		Ozone Emission
Maximum 1.5Kw or less	Copying	Standby	0.01ppm or less average 0.02ppm or less max
Energy Star Compliant RoHS Compliant 1.0 Watts in Sleep Mode	66dB	40dB	
Operating Environment	Min	Max	Heat Output
Temperature Range	15°C	27.5°C	Standby
Relative Humidity Range	25%	75%	Not Available
Atmospheric Pressure	0.6 atm	1.0atm	Copying
			4610 BTU/Min

PHYSICAL DATA					
	Width	Depth	Height	Weight	Comments
Dimensions	565mm	700mm	1020mm	101.8 kg approx	Includes Cassette Feeding Unit-Y3 and DADF-U1

SPATIAL REQUIREMENTS



FLOOR LOADING

The Weight of the iR3225 + DADF + Cassette Feeder-Y3 = 101.8Kg,
 Dimensions between the castors are 47cm, side to side
 39.5cm, front to rear Diameter of castor 5cm. Width of castor 2cm

OTHER INFORMATION

It is recommended to use a dedicated Power Outlet for the machine. Sharing other appliances with the machine may impair product performance. For example, appliances that switch on and off frequently. (Refrigerators)
 In all cases, power rating must be considered when using power outlets.

The machine site must be well ventilated and free from exposure to direct sunlight.

ALL INFORMATION ON THIS DATA SHEET IS SUBJECT TO CHANGE WITH IMPROVEMENT OR REDESIGN OF THE PRODUCT. FOR INTERNAL USE ONLY NOT FOR PUBLICATION