


## COPIER/PRINTER TECHNICAL DATA SHEET

Revision 1.1

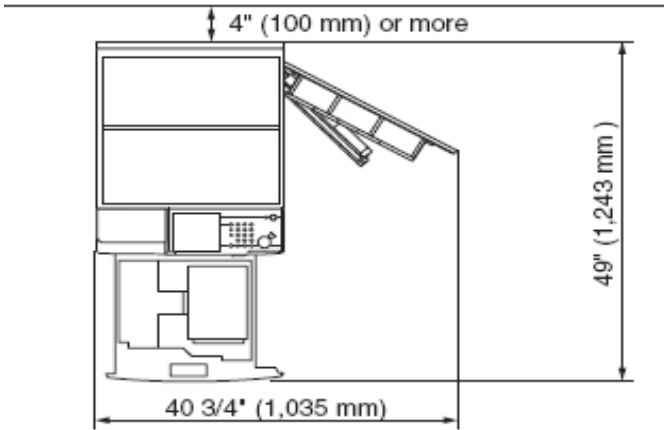
MODEL NAME		TYPE	STANDARD PRINT SPEED	MINIMUM POWER SUPPLY REQUIREMENT	
iR C3580/i		Body Type: Console	35 CPM A4 Black	Clean 220v 50HZ Via 13 Amp Plug	
			30 CPM A4 Colour	1.5kW Power Consumption Maximum	
PRODUCT ACCESSORIES			PRODUCT DIAGRAM		Software/Features
Platen Cover Type H					Barcode Printing Kit-A1
DADF-L1					Web Access Software-E1
Document Tray J1					Secure Watermark-A1
Finisher-Z1 (Internal)					Encrypted Printing Software-C1
Buffer Pass Unit-E2 (for external finishers Y1/Y2)					Direct Printing Kit-F1
Finisher-Y1/Saddle Finisher-Y2					PDF Advanced Feature-A1
Inner 2way Tray-D1 (to separate copy and print if req.)					PDF Security Feature-A1
Puncher Unit-L1 / N1					Digital User Signature PDF-A1
Copy Tray-J1(3rd output with inner 2 way tray)					Remote Operator Software-A2
Paper Deck-Z1					HDD Data Erase Kit A1
Cassette Feeder Unit-Y3 or Pedestal					HDD Data Encryption Kit B1
Card Reader-C1					Colour Universal Send Kit-N1 (non 'i' version)
Key Switch Unit-A2					Access Management Kit-A1
Super G3 Fax Board-W2					<b>Disability/Features</b>
Colour PS Printer Kit-Q3 (emulation) option for 'i' model					ADF Accessibility Handle A1
EFI Colour Network Printer Unit-J1 (for non 'i')					Voice Operation Kit-A1
Wireless Network Adaptor NB-W1					Voice Guidance Kit-B1
			Remote Operation Software-A2		
BASIC COPIER SPECIFICATION			PRINTER ENGINE SPECIFICATION	FIRST COPY OUT TIMES	
Xenon Lamp Document Exposure 600 x 600 DPI Scanning Resolution 2 x 550 sheet cassettes 999 copies max Tray-Less Duplexing			4 Beam Laser Exposure	5.9 seconds for Black	
			Up to 1200 x 1200 dpi Resolution Printing	8.9 for Colour	
			600x1200 dpi (equivalent) dpi Resolution Copying	Conditions:	
			256 Gradations	Cassette 1, A4 Plain Paper	
			80Gb Hard Drive		
ACCEPTABLE ORIGINAL TYPES Sheets, Books Maximum Weight 2KG A3 Maximum Size			On demand fixing method (uses fixing film)	<b>TONER CONSUMPTION</b>	
			Roller Charge & Transfer Method		
			38sec Max Warm Up Time for 'i' models (@ 20 C)	Approx 26K Black A4 Sheets @ 5% Coverage	
			30 secs Max Warm Up Time for non 'i' models	Approx 14K Colour A4 Sheets @5% Coverage	
			Intermediate Transfer Belt System		
			QF Toner	<b>DRUM LIFE</b>	
			Onboard Memory 1.5GB RAM	77,000 Black	53,000 Colour
COPYING / PRINTING REPRODUCTION SPEEDS			Copies/min (1-to-N)		
Media Types	Copying Speed	Paper Size	Black and White	Colour	
Plain Paper 64-163 gsm Transparencies, Heavyweight Paper, Coloured Paper, Please see Canon's recommendations	100 % Ratio Plain Paper	A3	15	15	
		A4	35	30	
		A4R	17	17	
		A5R	13	13	
<b>Zoom Range</b>			<b>Double Siding DADF-L1</b>		
25~400% in 1% Increments			A5R-A3 64-128gsm		
PAPER SOURCE AND MEDIA SIZES			COUNTER TYPE		
Auto Duplex 64 - 105 gms	A5R-A3		Electronically Changed In Service Mode. There are 8 available. Default values are: 112, 113, 122, 123, 301, 501.		
Cassettes 64-163 gsm	SRA3, A3, A4, A4R, A5R		<b>AUTO SLEEP / AUTOCLEAR</b>		
Manual Feed 64-220 gsm	A5R-SRA3		Yes, customer adjustable		
Side Paper Deck-Z1 64-105 gsm	A4		<b>SCANNING OPTION</b>		
			i-Send as standard on the 'i' model. Network Scanning via Color Network ScanGear from DADF 44ipm at 300dpi A4		

PAPER SPECIFICATION		
Feed Location	Capacity	Type of Media
Standard Cassette	550 Sheets @ 80gsm x2	Plain Paper ( 64 - 163gsm)
Manual Feed	50 Sheets @ 80 gsm	64 to 220 g/m2, Plain, Recycled, Colour, Letterhead, Pre-punched, Transparency, Labels
Paper Deck Z1	2700 Sheets @ 80gsm A4	
Automatic Duplex	Single Through-path, Double Sided (No Holding Tray)	Plain Paper (64-105gsm) A4
Manual Feed Double Sided( Not Duplex)	50 Sheets 80 g/m Central Reference Adjustment	Plain Paper

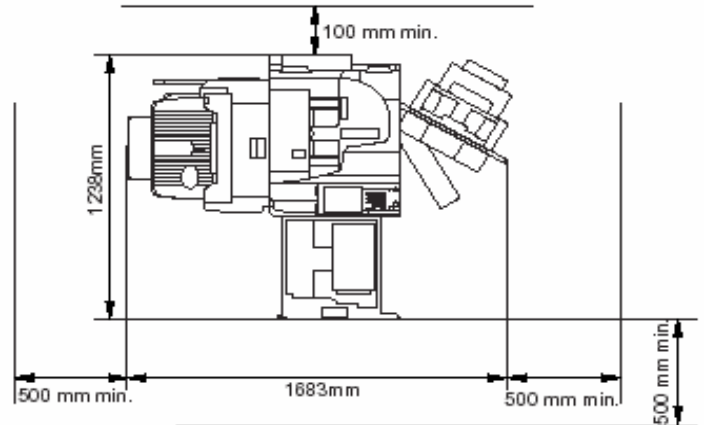
ENVIRONMENTAL DATA			
Power Consumption	Operating Noise		Ozone Emission
Maximum 1.5Kw or Less	Copying 67.75 dB or less	Standby 43 dB or less	Initial - Average 0.01 ppm or less Over time - Average 0.035 ppm or less
Standby = 110 Watts			
Sleep = 3 Watts			
Energy Star Compliant			
Operating Environment	Min	Max	Heat Output
Temperature Range	15 °C	27.5°C	Standby
Relative Humidity Range	25%	75%	Not Available
Atmospheric Pressure	0.6 atm	1.0atm	Copying
			5119.5 BTU Max

PHYSICAL DATA					
	Width	Depth	Height	Weight	Comments
Dimensions	565mm	760mm	791mm	116kg approx	
			917 mm	125 Kg with DADF	

### SPATIAL REQUIREMENTS



Copier+ Finisher-Z1



Copier + Finisher-Y2

### FLOOR LOADING

The Weight of the iR C3580/i is approx 116kg,  
Dimensions: 565x760x791 mm

### OTHER INFORMATION

It is recommended to use a dedicated Power Outlet for the machine. Sharing other appliances with the machine may impair product performance. For example, appliances that switch on and off frequently. (Refrigerators)  
In all cases, power rating must be considered when using power outlets.

The machine site must be well ventilated and free from exposure to direct sunlight.

ALL INFORMATION ON THIS DATA SHEET IS SUBJECT TO CHANGE WITH IMPROVEMENT OR REDESIGN OF THE PRODUCT. FOR INTERNAL USE ONLY NOT FOR PUBLICATION