


COPIER/PRINTER TECHNICAL DATA SHEET

Revision 1.4

MODEL NAME		TYPE	STANDARD PRINT SPEED	MINIMUM POWER SUPPLY REQUIREMENT	
iR C2380i		Body Type: Console	23 CPM A4 Black & Colour	Clean 220v 50HZ Via 13 Amp Plug 1.5kW Power Consumption Maximum	
PRODUCT ACCESSORIES			PRODUCT DIAGRAM		Software/Features
Platen Cover Type H					Barcode Printing Kit-A1
DADF-L1					Web Access Software-E1
Document Tray J1					Secure Watermark-A1
Finisher-Z1 (Internal)					Encrypted Printing Software-C1
Buffer Pass Unit E2 (for external finishers Y1/Y2)					Direct Printing Kit-F1
Finisher-Y1/Saddle Finisher-Y2					PDF Advanced Feature-A1
Inner 2way Tray-D1 (to separate copy and print if req.)					PDF Security Feature-A1
Puncher Unit-L1 / N1					Digital User Signature PDF-A1
Copy Tray-J1(3rd output with inner 2 way tray)					Remote Operator Software-A2
Paper Deck-Z1					HDD Data Erase Kit A1
Cassette Feeder Unit-Y3 or Pedestal					HDD Data Encryption Kit B1
Card Reader-C1					1200dpi Expansion Board-A1
Key Switch Unit-A2					Access Management Kit-A1
Super G3 Fax Board-W2					
Colour PS Printer Kit-Q3 (emulation)					
There is no Fiery print option for the iR C2380i					Disability/Features
Wireless Network Adaptor NB-W1			ADF Accessibility Handle A1		
			Voice Operation Kit-A1		
			Voice Guidance Kit-B1		
			Remote Operation Software-A2		
BASIC COPIER SPECIFICATION			PRINTER ENGINE SPECIFICATION		FIRST COPY OUT TIMES
Xenon Lamp Document Exposure 600 x 600 DPI Scanning Resolution 2 x 550 sheet cassettes 999 copies max Tray-Less Duplexing			4 Beam Laser Exposure		5.9 seconds for Black
			600 x 600 dpi Resolution Printing		8.9 for Colour
			600x1200 dpi (equivalent) dpi Resolution Copying		Conditions:
			256 Gradations		Cassette 1, A4 Plain Paper
			80Gb Hard Drive		
ACCEPTABLE ORIGINAL TYPES Sheets, Books Maximum Weight 2KG A3 Maximum Size			On demand fixing method (uses fixing film)		TONER CONSUMPTION
			Roller Charge & Transfer Method		
			38sec Max Warm Up Time (@ 20 C)		Approx 26K Black A4 Sheets @ 5% Coverage
			Onboard Memory 1.5GB RAM		Approx 14K Colour A4 Sheets @5% Coverage
			Intermediate Transfer Belt System		
			QF Toner		DRUM LIFE
					77,000 Black 53,000 Colour
COPYING / PRINTING REPRODUCTION SPEEDS				Copies/min (1-to-N)	
Media Types	Copying Speed	Paper Size	Black and White	Colour	
Plain Paper 64-163 gsm Transparencies, Heavyweight Paper, Coloured Paper, Please see Canon's recommendations	100 % Ratio Plain Paper	A3	15	15	
		A4	23	23	
		A4R	17	17	
		A5R	13	13	
		Zoom Range			Double Siding DADF-L1
25~400% in 1% Increments			A5R-A3 64-128gsm		
PAPER SOURCE AND MEDIA SIZES			COUNTER TYPE		
Auto Duplex 64 - 105 gms	A5R-A3		Electronically Changed In Service Mode. There are 8 available. Default values are: 112, 113, 122, 123, 301, 501		
Cassettes 64-163 gsm	SRA3, A3, A4, A4R, A5R		AUTO SLEEP / AUTOCLEAR		
Manual Feed 64-220 gsm	A5R-SRA3		Yes, customer adjustable		
Side Paper Deck-Z1 64-105 gsm	A4		SCANNING OPTION		
			i-Send as standard. Network Scanning via Color Network ScanGear From DADF 44ipm at 300dpi A4		

PAPER SPECIFICATION

Feed Location	Capacity	Type of Media
Standard Cassette	550 Sheets @ 80gsm x2	Plain Paper (64 - 163gsm)
Manual Feed	50 Sheets @ 80 gsm	64 to 220 g/m2, Plain, Recycled, Colour, Letterhead, Pre-punched, Transparency, Labels
Paper Deck Z1	2700 Sheets @ 80gsm A4	
Automatic Duplex	Single Through-path, Double Sided (No Holding Tray)	Plain Paper (80gsm) A4
Manual Feed Double Sided(Not Duplex)	50 Sheets 80 g/m Central Reference Adjustment	Plain Paper (64 gsm to 105 gsm)
		Plain Paper

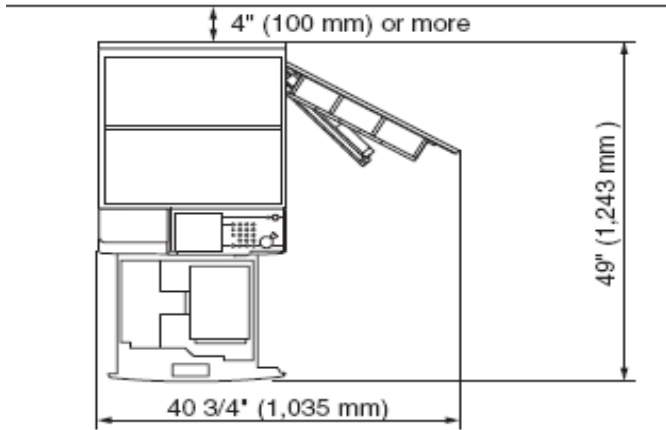
ENVIRONMENTAL DATA

Power Consumption	Operating Noise		Ozone Emission
Maximum 1.5Kw or Less	Copying 67.75 dB or less	Standby 43 dB or less	Initial - Average 0.01 ppm or less Over time - Average 0.035 ppm or less
Standby = 110 Watts			
Sleep = 3 Watts			
Energy Star Compliant			
Operating Environment	Min	Max	Heat Output
Temperature Range	15 °C	27.5°C	Standby
Relative Humidity Range	25%	75%	Not Available
Atmospheric Pressure	0.6 atm	1.0atm	Copying
			5119.5 BTU Max

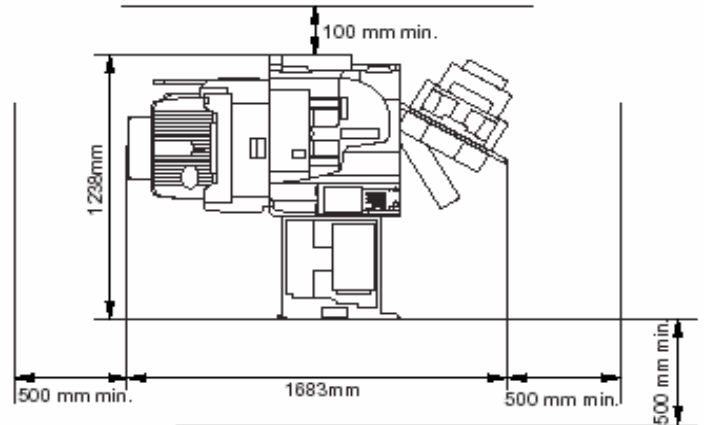
PHYSICAL DATA

	Width	Depth	Height	Weight	Comments
Dimensions	565mm	760mm	791mm	116kg approx	
			917 mm	125 Kg with DADF	

SPATIAL REQUIREMENTS



Copier+ Finisher-Z1



Copier + Finisher-Y2

FLOOR LOADING

The Weight of the iR C2380i is approx 116kg,
Dimensions: 565x760x791 mm

OTHER INFORMATION

It is recommended to use a dedicated Power Outlet for the machine. Sharing other appliances with the machine may impair product performance. For example, appliances that switch on and off frequently. (Refrigerators)
In all cases, power rating must be considered when using power outlets.

The machine site must be well ventilated and free from exposure to direct sunlight.

ALL INFORMATION ON THIS DATA SHEET IS SUBJECT TO CHANGE WITH IMPROVEMENT OR REDESIGN OF THE PRODUCT. FOR INTERNAL USE ONLY NOT FOR PUBLICATION