


COPIER/PRINTER TECHNICAL DATA SHEET

REV NO: 1.0

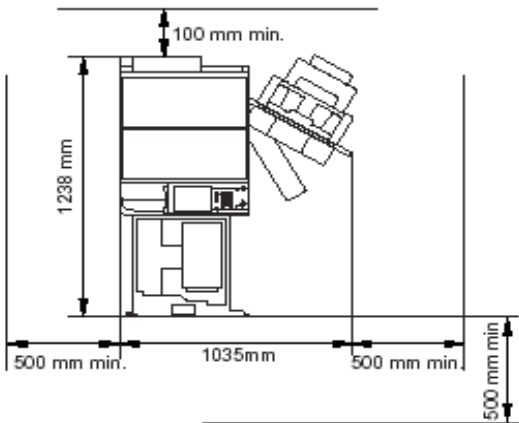
MODEL NAME	TYPE	STANDARD PRINT SPEED	MINIMUM POWER SUPPLY REQUIREMENT			
iR3180Ci *Standard* iR3180C	Body Type: Desktop	31 CPM A4 B/W	Clean 220v 50HZ Via 13 Amp Plug			
		7 CPM A4 Colour	1.2kW Power Consumption Maximum			
PRODUCT ACCESSORIES		PRODUCT ACCESSORY DIAGRAM			Software/Features	
iR 512MB RAM-C1 DADF L1 Document Tray J1 Finisher P1 (Internal) Buffer Pass Unit C1 Finisher Q3/Saddle Finisher Q4 Inner 2way Tray- C1 Puncher Unit L1 / N1 Copy Tray J1 Paper Deck Q1 Cassette Feeder Unit Y2 or Pedestal Card Reader C1 Additional Finisher Tray A1 Accessibility Handle-A1 Super G3 Fax Board S2 *Multi PDL Print Kit B1* Colour Universal Send Kit-J1 Universal Send PDF Advanced Feature Set-A1 Digital User Signature PDF Kit-A1					Direct Print Kit-F1 WebAccess Software-E1 Barcode Printing Kit-A1 Encrypted Printing Software-C1 Send PDF Encryption Kit-B1 Send Searchable PDF Kit-A1 Key Switch Unit-A2 HDD Data Erase Kit-A1 HDD Data Encryption Kit-B1 Access Management System Kit-A1 Remote Operators Software-A2 Voice Guidance Kit-C1 Accessibility Handle-A1	
BASIC COPIER SPECIFICATION		PRINTER ENGINE SPECIFICATION		FIRST COPY OUT TIMES		
Xenon Lamp Exposure 600 x 600 DPI Scanning 2 x 550 sheet cassettes 999 copies max Tray-Less Duplexing		Laser Exposure		8 Secs Black/White		
		600 x 2400 (equivalent) dpi Resolution Printing		23.9 secs Colour		
		600x1200 dpi (equivalent) dpi Resolution Copying		Conditions:		
		'256 Gradations'		Cassette 1 A4		
		80Gb Hard Drive				
		Roller Charging Method				
ACCEPTABLE ORIGINAL TYPES		360sec Max Warm Up Time (@ 20 C)		TONER CONSUMPTION		
Sheets, Books, 3D Objects Maximum Weight 2KG A3 Maximum Size		Onboard Memory iR3170C 512MB		Approx 23K A4 Sheets @ 5% Coverage		
		Onboard Memory iR3170Ci 1GB		Approx 8.5K A4 Sheets @ 5% Coverage		
		Dry type, 2 Component B/W & Colour		DRUM LIFE		
				70,000 Images		
COPYING / PRINTING REPRODUCTION SPEEDS			Copies/min (1-to-N)			
Media Types	Copying Speed	Paper Size	Black and White	Colour		
Plain Paper 64-163 gsm Transparencies, Heavyweight Paper, Coloured Paper, Please see Canon's recommendations	100 % Ratio	A3	16	3.5		
		A4	31	7		
		A4R	16	3.5		
		A5R	16	7		
	Reduction	50%	A3-A5R	16		
		70%	A3-A4R	16		
	Enlargement	200%	A4R-A3	16		
		141%	A5R-A3	16		
Zoom Range			Double Siding DADF-L1			
25~400% with DADF H1, (In 1% Increments)			A5R-A3 64-128gsm			
PAPER SOURCE AND MEDIA SIZES			COUNTER TYPE			
Auto Duplex	A5R-A3		Electronically Changed In Service Mode To Display Various Combinations, Six Displays Available To Customer			
Cassettes 64-163gsm	A3, A4, A4R, A5R					
Manual Feed 64-163gsm	A5R-SRA3		AUTO SLEEP / AUTOCLEAR			
Side Paper Deck Q1 64-80gsm	A4		Yes, customer adjustable			
			SCANNING OPTION			
			Available Over Local Network Using Network Scan Gear			

PAPER SPECIFICATION		
Feed Location	Capacity	Type of Media
Standard Cassette	550 Sheets @ 80gsm x2	Plain Paper (64 - 163gsm)
Manual Feed	50 Sheets @ 80 gsm	64 to 163 g/m2, Plain, Recycled, Colour, Letterhead, Pre-punched, Transparency, Labels
Paper Deck Q1	2500 Sheets @ 80gsm	
Automatic Duplex	Single Through-path, Double Sided (No Holding Tray)	Plain Paper (80gsm)
Manual Feed Double Sided(Not Duplex)	50 Sheets 80 g/m Central Reference Adjustment	Plain Paper (80gsm to 163gsm)

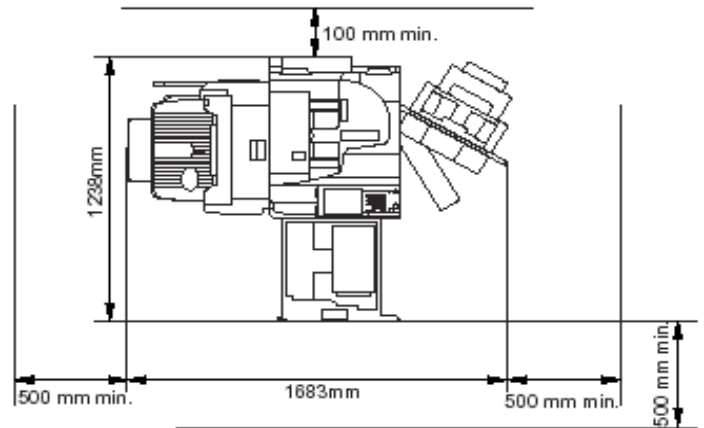
ENVIRONMENTAL DATA			
Power Consumption	Operating Noise		Ozone Emission
Maximum 1.35Kw or Less	Copying	Standby	0.01ppm or less average 0.02ppm or less max
Energy Star Compliant	71 Black 73 Colour	db or less 50	
Operating Environment	Min	Max	Heat Output
Temperature Range	15 C	27.5C	Standby
Relative Humidity Range	25%	75%	Not Available
Atmospheric Pressure	810hPa	1013 hPa	Copying
			4455 BTU

PHYSICAL DATA					
	Width	Depth	Height	Weight	Comments
Dimensions	565mm	755mm	754mm	86.2kg approx	

SPATIAL REQUIREMENTS



Copier+ Finisher P1



Copier + Finisher Q3

FLOOR LOADING

The Weight of the iR3180Ci is approx 86.2kg,
Dimensions 565x755x754 mm

OTHER INFORMATION

It is recommended to use a dedicated Power Outlet for the machine. Sharing other appliances with the machine may impair product performance. For example, appliances that switch on and off frequently. (Refrigerators)
In all cases, power rating must be considered when using power outlets.

The machine site must be well ventilated and free from exposure to direct sunlight.

ALL INFORMATION ON THIS DATA SHEET IS SUBJECT TO CHANGE WITH IMPROVEMENT OR REDESIGN OF THE PRODUCT. FOR INTERNAL USE ONLY NOT FOR PUBLICATION