

COPIER/PRINTER TECHNICAL DATA SHEET

REV NO: 1.0

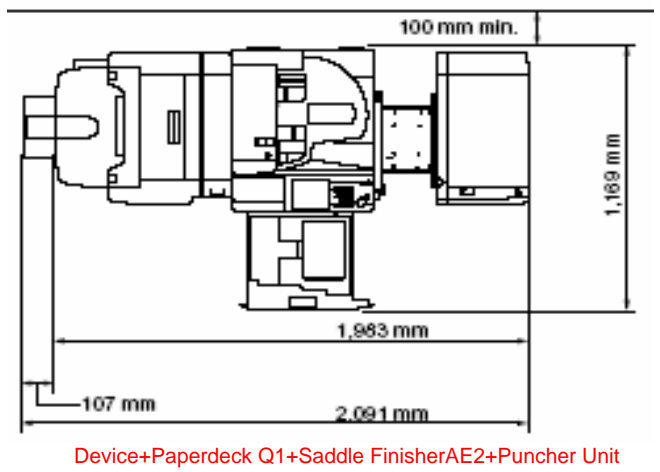
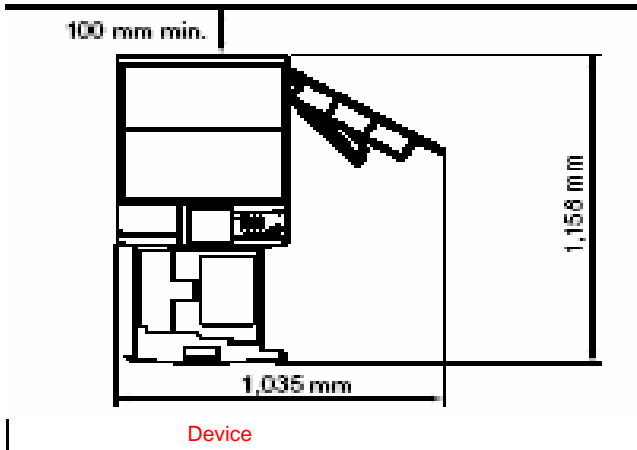
MODEL NAME	TYPE	STANDARD PRINT SPEED	MINIMUM POWER SUPPLY REQUIREMENT		
iR3035/3045- iR3035N/3045N	Body Type: Desktop	35 /45 CPM A4	Clean 230v 50HZ Via 13 Amp Plug		
			1,350 Watts Power Consumption Maximum		
PRODUCT ACCESSORIES		Product Accessories			
DADF N1 or Platen H1		Universal Send Kit-G1			
iR3100C Plain Pedestal		Bar Code Printing Kit-A1			
Cassette Feeder Unit-Y3		SecureWatermark Kit-A1			
Finisher-AE1 and Saddle Finisher-AE2		Encrypted Printing-C1			
Buffer Pass E2		HDD Data Erase Kit-A1			
Puncher Unit L1, N1		HDD Encryption Kit-B4			
Inner 2way Tray-D1 / Copy Tray J1		Send Searchable-A1			
Side Paper Deck Q1		Send PDF Security-A1			
Finisher S1 (Internal)		256MByte RAM-B1			
Additional Finisher Tray-B1		Expansion Bus-B1			
Internal Puncher Q1/S1		Remote Op Software			
USB Application Interface Board G1		Digital Signature PDF-A1			
UFR II Printer Kit-S1		Super G3 Fax-Q1			
UFR II/PCL Printer Kit-S1		Voice Guidance-B1			
PS Printer Kit-S1		Voice Operation-A1			
Web Access Software-F1	ADF Access Handle-A1				
BASIC COPIER SPECIFICATION		PRINTER ENGINE SPECIFICATION		FIRST COPY OUT TIMES	
LED (CIS) 600 x 600 DPI Scanning 999 copies continuously Duplex Mailbox up to 8,000 pages	Laser Exposure		less than 3.9 secs From Glass (Book Mode)		
	600 x 2400 (equivalent) dpi Resolution Printing		Conditions:		
	600x1200 dpi (equivalent) dpi Resolution Copying		Cassette 1 A4		
	256 Gradations of Halftone		Non AE		
	20Gb Hard Drive		Text mode		
Roller Charging Method		Not with Finisher Q3 Saddle Q4			
Roller Transfer Method					
ACCEPTABLE ORIGINAL TYPES		40 Secs or less max warm up time		TONER CONSUMPTION	
Sheets, Books, A3 maximum size		Onboard Memory: 512Mbytes		Approx 24K A4 Sheets @ 5% Coverage	
		Monocomponent Development System		DRUM LIFE	
		Toner C-EXV 12 Black (9634A002AA)		85,000 copies approx.	
C-EXV 11/12 Drum Unit (9630A003BA)					
COPYING / PRINTING REPRODUCTION SPEEDS			Copies/min (1-to-N)		
Media Types	Copying Speed	Paper Size	iR3035	iR3045	
Plain Paper 64-128 gsm Transparencies, Heavyweight Paper, Tracing Paper, Eco Paper, Recycled Paper	100 % Ratio	A3	22	22	
		A4	35	45	
		A4R	16	20	
		A5R	16	20	
Zoom Range			Double Siding		
25~400% In 1% Increments			A5R-A3 64-128gsm		
PAPER SOURCE AND MEDIA SIZES			COUNTER TYPE		
Auto Duplex	A5R-A3		Electronically changed in Service Mode to display various combinations. Eight displays available.		
Cassettes 64-90g/m ²	A3, A4, A4R, A5R				
Manual Feed 64-128g/m ²	A5R-A3		AUTO SLEEP / AUTOCLEAR		
Side Paper Deck-Q1 64-90g/m ²	A4		Yes, customer adjustable		
			SCANNING OPTION		
			Available over local network using Network Scan Gear and Universal Send Kit-G1		

PAPER SPECIFICATION		
Feed Location	Capacity	Type of Media
Standard Cassette	550 Sheets 80g/m ²	Plain Paper (64 - 90g/m ²)
Manual Feed	50 Sheets 80 g/m ²	Plain Paper (64- 128g/m ²) Transparencies
Paper Deck-Q1	2500 Sheets 80g/m ²	
Automatic Duplex	Single Through-path,Double Sided (No Holding Tray)	Plain Paper (80g/m ²)
Manual Feed Double Sided(Not Duplex)	50 Sheets 80 g/m ² Central Reference Adjustment	Plain Paper (64 to 128g/m ²)

ENVIRONMENTAL DATA			
Power Consumption	Operating Noise		Ozone Emission
Maximum 1.35Kw or Less	Copying	Standby	0.01ppm or less average 0.02ppm or less max
Energy Star Compliant RoHS Compliant 1.5 Watts in Standby	71dB	50dB	
Operating Environment	Min	Max	Heat Output
Temperature Range	15 C	27.5 C	Standby Not Available
Relative Humidity Range	25%	75%	
Atmospheic Pressure	0.6 atm	1.0atm	Copying 4610 BTU/Min

PHYSICAL DATA					
	Width	Depth	Height	Weight	Comments
Dimensions	565mm	700mm	1020mm	101.8 kg approx	Includes Cassette Feeding Unit-Y3 and DADF-N1

SPATIAL REQUIREMENTS



FLOOR LOADING

The Weight of the iR3035/3045 + DADF 78.8kg,
 Dimensions between the castors are 47cm, side to side
 39.5cm, front to rear Diameter of castor 5cm. Width of castor 2cm

OTHER INFORMATION

It is recommended to use a dedicated Power Outlet for the machine. Sharing other appliances with the machine may impair product performance. For example, appliances that switch on and off frequently. (Refrigerators)
 In all cases, power rating must be considered when using power outlets.

The machine site must be well ventilated and free from exposure to direct sunlight.

ALL INFORMATION ON THIS DATA SHEET IS SUBJECT TO CHANGE WITH IMPROVEMENT OR REDESIGN OF THE PRODUCT. FOR INTERNAL USE ONLY NOT FOR PUBLICATION