

## COPIER/PRINTER TECHNICAL DATA SHEET

REV NO: 1.0

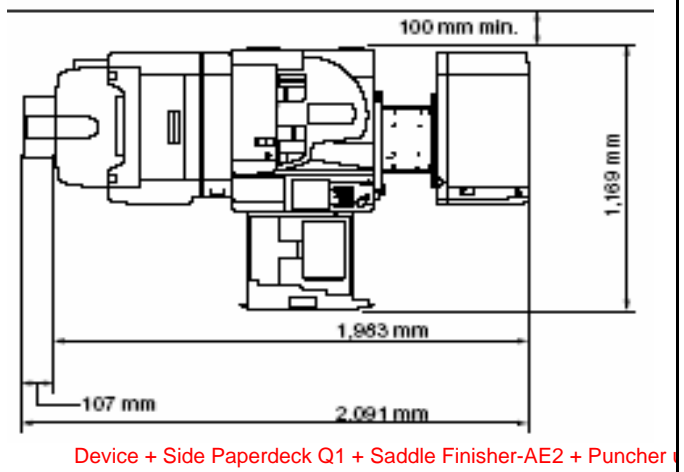
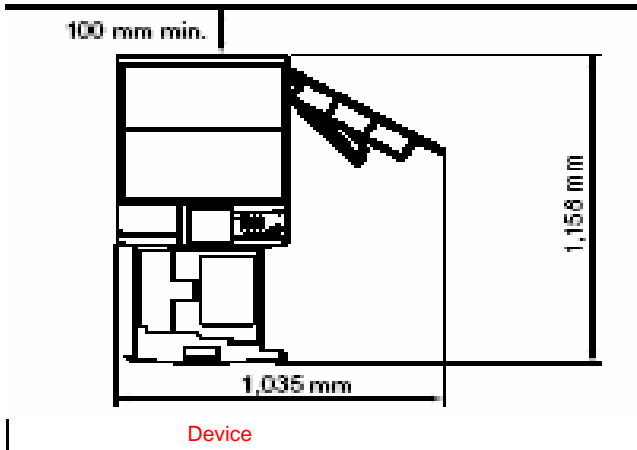
MODEL NAME	TYPE	STANDARD PRINT SPEED	MINIMUM POWER SUPPLY REQUIREMENT	
iR3025/3025N	Body Type: Desktop	25 CPM A4	Clean 230v 50HZ Via 13 Amp Plug 1,350 Watts Power Consumption Maximum	
PRODUCT ACCESSORIES				Product Accessories
DADF N1 or Platen H1				Universal Send Kit-G1
iR3100C Plain Pedestal				Bar Code Printing Kit-A1
Cassette Feeder Unit-Y3				SecureWatermark Kit-A1
Finisher-AE1 and Saddle Finisher-AE2				Encrypted Printing-C1
Buffer Pass E2				HDD Data Erase Kit-A1
Puncher Unit L1, N1				HDD Encryption Kit-B4
Inner 2way Tray-D1 / Copy Tray J1				Send Searchable-A1
Side Paper Deck Q1				Send PDF Security-A1
Finisher S1 (Internal)				256MByte RAM-B1
Additional Finisher Tray-B1				Expansion Bus-B1
Internal Puncher Q1/S1				Remote Op Software
USB Application Interface Board G1				Digital Signature PDF-A1
UFR II Printer Kit-S1				Super G3 Fax-Q1
UFR II/PCL Printer Kit-S1				Voice Guidance-B1
PS Printer Kit-S1				Voice Operation-A1
Web Access Software-F1			ADF Access Handle-A1	
BASIC COPIER SPECIFICATION		PRINTER ENGINE SPECIFICATION		FIRST COPY OUT TIMES
LED (CIS) 600 x 600 DPI Scanning  999 copies continuously Duplex Mailbox up to 8,000 pages	Laser Exposure		600 x 2400 (equivalent) dpi Resolution Printing	4.9 secs or less From Glass (Book Mode)
	600x1200 dpi (equivalent) dpi Resolution Copying		256 Gradations of Halftone	Conditions:
	20Gb Hard Drive		Roller Charging Method	Cassette 1 A4
	Roller Transfer Method		Roller Charging Method	Non AE
	40 Secs or less max warm up time		Roller Transfer Method	Text mode
ACCEPTABLE ORIGINAL TYPES		Onboard Memory: 512Mbytes		FIRST COPY OUT TIMES
Sheets, Books, A3 maximum size	Monocomponent Development System		40 Secs or less max warm up time	Not with Finisher Q3 Saddle Q4
	Toner C-EXV 11 Black (9629A002AA)		Onboard Memory: 512Mbytes	TONER CONSUMPTION
	C-EXV 11/12 Drum Unit (9630A003BA)		Monocomponent Development System	Approx 24K A4 Sheets @ 5% Coverage
		C-EXV 11/12 Drum Unit (9630A003BA)		DRUM LIFE
				85,000 copies approx.
COPYING / PRINTING REPRODUCTION SPEEDS			Copies/min (1-to-N)	
Media Types	Copying Speed	Paper Size	iR3025	
Plain Paper 64-128 gsm Transparencies, Heavyweight Paper, Tracing Paper, Eco Paper, Recycled Paper	100 % Ratio	A3	14	
		A4	25	
		A4R	17	
		A5R	17	
Zoom Range			Double Siding	
25~400% In 1% Increments			A5R-A3 64-128gsm	
PAPER SOURCE AND MEDIA SIZES			COUNTER TYPE	
Auto Duplex	A5R-A3		Electronically changed in Service Mode to display various combinations. Eight displays available.	
Cassettes 64-90g/m <sup>2</sup>	A3, A4, A4R, A5R		AUTO SLEEP / AUTOCLEAR	
Manual Feed 64-128g/m <sup>2</sup>	A5R-A3		Yes, customer adjustable	
Side Paper Deck-Q1 64-90g/m <sup>2</sup>	A4		SCANNING OPTION	
			Available over local network using Network Scan Gear and Universal Send Kit-G1	

PAPER SPECIFICATION		
Feed Location	Capacity	Type of Media
Standard Cassette	550 Sheets 80g/m <sup>2</sup>	Plain Paper ( 64 - 90g/m <sup>2</sup> )
Manual Feed	50 Sheets 80 g/m <sup>2</sup>	Plain Paper ( 64- 128g/m <sup>2</sup> ) Transparencies
Paper Deck-Q1	2500 Sheets 80g/m <sup>2</sup>	
Automatic Duplex	Single Through-path, Double Sided (No Holding Tray)	Plain Paper (80g/m <sup>2</sup> )
Manual Feed Double Sided( Not Duplex)	50 Sheets 80 g/m <sup>2</sup> Central Reference Adjustment	Plain Paper (64 to 128g/m <sup>2</sup> )

ENVIRONMENTAL DATA			
Power Consumption	Operating Noise		Ozone Emission
Maximum 1.35Kw or Less	Copying	Standby	0.01ppm or less average 0.02ppm or less max
Energy Star Compliant RoHS Compliant 1.5 Watts in Standby	66dB	40dB	
Operating Environment	Min	Max	Heat Output
Temperature Range	15 C	27.5 C	Standby Not Available
Relative Humidity Range	25%	75%	
Atmospheric Pressure	0.6 atm	1.0atm	Copying 4610 BTU/Min

PHYSICAL DATA					
	Width	Depth	Height	Weight	Comments
Dimensions	565mm	700mm	1020mm	101.8 kg approx	Includes Cassette Feeding Unit-Y3 and DADF-N1

### SPATIAL REQUIREMENTS



### FLOOR LOADING

The Weight of the iR3025 + DADF + Cassette Feeder-Y3 = 101.8Kg,  
 Dimensions between the castors are 47cm, side to side  
 39.5cm, front to rear Diameter of castor 5cm. Width of castor 2cm

### OTHER INFORMATION

It is recommended to use a dedicated Power Outlet for the machine. Sharing other appliances with the machine may impair product performance. For example, appliances that switch on and off frequently. (Refrigerators)  
 In all cases, power rating must be considered when using power outlets.

The machine site must be well ventilated and free from exposure to direct sunlight.

**ALL INFORMATION ON THIS DATA SHEET IS SUBJECT TO CHANGE WITH IMPROVEMENT OR REDESIGN OF THE PRODUCT. FOR INTERNAL USE ONLY NOT FOR PUBLICATION**