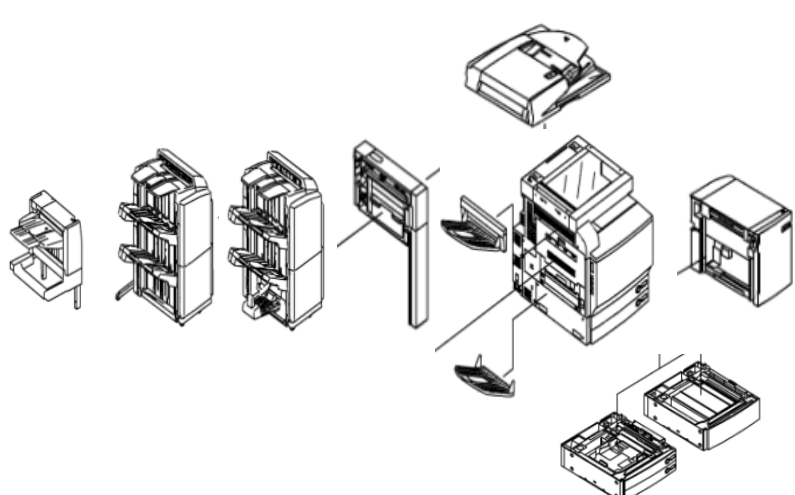



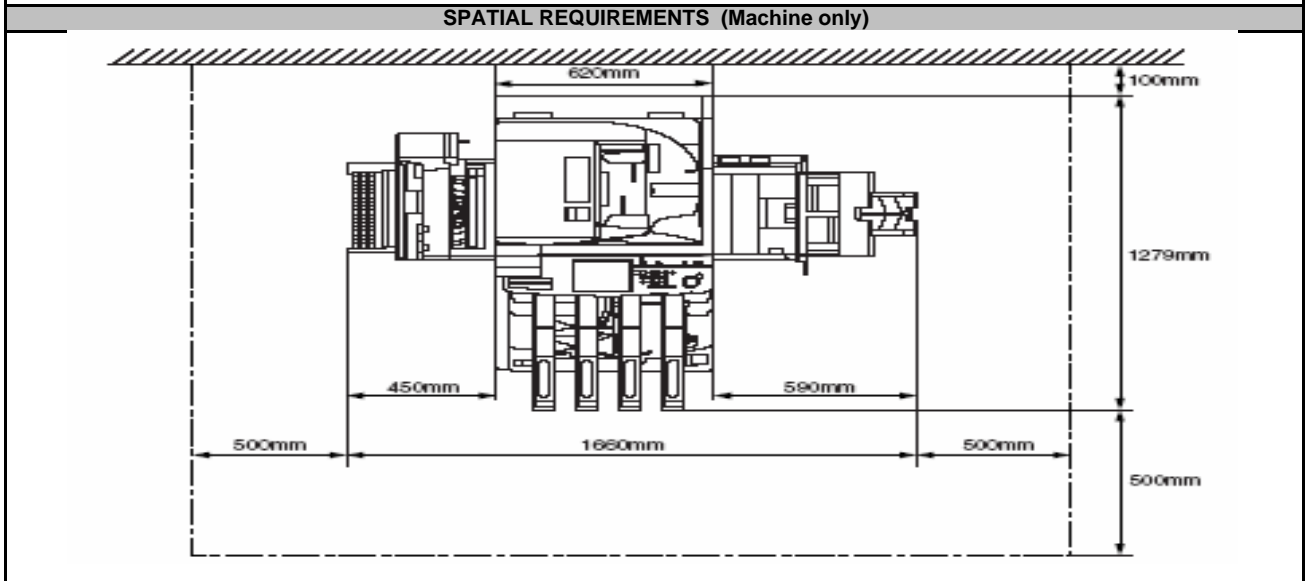
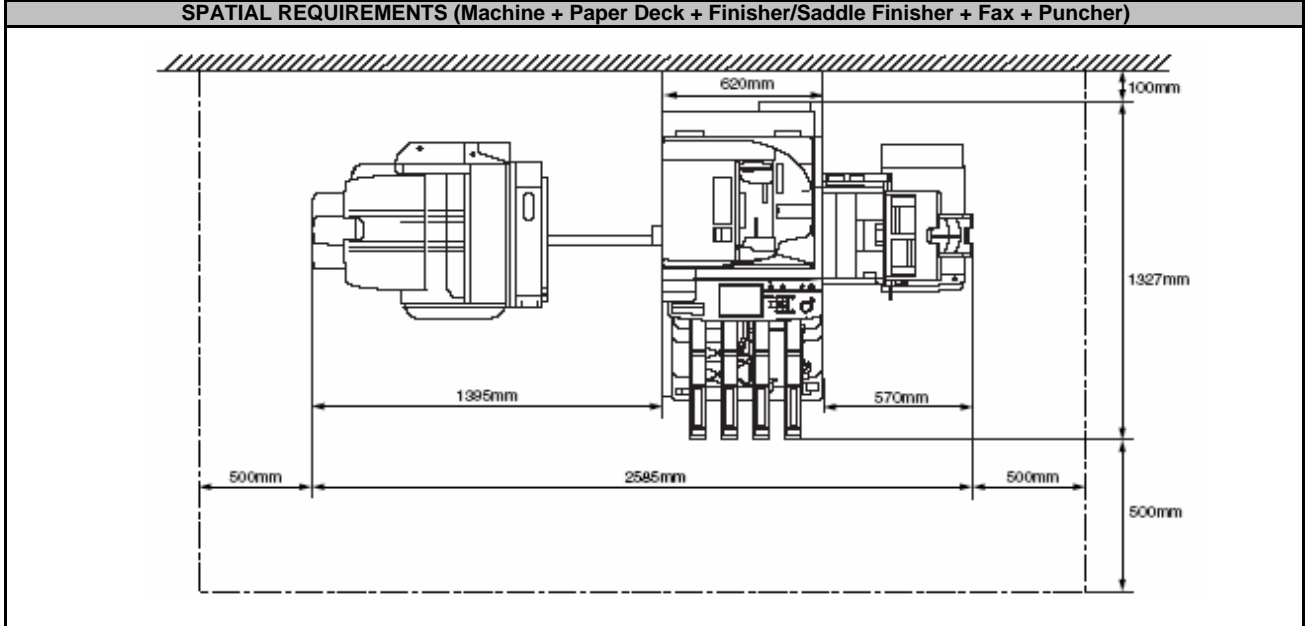
COPIER/PRINTER TECHNICAL DATA SHEET

REV NO: 0

MODEL NAME	TYPE	STANDARD PRINT SPEED	MINIMUM POWER SUPPLY REQUIREMENT		
CLC5151/4040	Body Type: Desktop	51/40 CPM A4	Clean 230v 50HZ Via 13 Amp Plug 1.5 kW Power Consumption Maximum		
PRODUCT ACCESSORIES		PRODUCT ACCESSORY DIAGRAM			
CLC4040/5151 EFI Controller PS-GX 100 EFI Colour Network Unit H-1 A4 Paper deck-Y1 Cassette Feed Unit-Z1 Plain Pedestal-E1 Finisher-X1 Finsher-W1 Saddle Finisher-W2 Colour Image Reader-F1 Copy Tray-A1 Card reader-D1 Puncher Unit-AG1 Puncher Unit-AJ1 Puncher Unit-AK1 Key Switch-A2 IMPORTANT Not all combinations possible					Printing Options  EFI Controller PS-GX100 Intel Pentium4 3.2GHz 1 GB DDR memory 160Gb SATA 3.5 inch hard drive Adobe PostScript 3 Ethernet 10base-T/100-TX/1000base-T TCP/IP, IPX/SPX, Apple Talk
BASIC COPIER SPECIFICATION		PRINTER ENGINE SPECIFICATION		FIRST COPY OUT TIMES	
DADF and Image Reader as one unit Xenon Lamp Exposure 600 x 600 DPI Scanning 1200 x 1200 dpi (equivalent) Printing Resolution		4 x 4 Laser Exposure (YMCK)		MONO 6.2 Seconds	
		1200 x 1200 (equivalent) dpi Resolution Printing		Full Colour 8 Seconds	
		600x1200 dpi (equivalent) dpi Resolution Copying		Both the above are speculative as model numbers differ between the service manual and European models	
		256 Gradations			
		80Gb Hard Drive			
ACCEPTABLE ORIGINAL TYPES Sheets, Books, 3D Objects Maximum Weight 2KG A3 Maximum Size		Roller Charging Method Roller Transfer Method with ITB		TONER CONSUMPTION Approx 30,000 A4 Sheets @ 5% Coverage (CMY) Approx 26,000 A4 Sheets @ 5% Coverage (K)	
COPYING / PRINTING REPRODUCTION SPEEDS		DRUM LIFE 60,000 copies/prints		WARM UP TIMES Approx. 4 Minutes from 20° C	
Media Types	Copying Speed	Paper Size	Copies/min (1-to-N)		
Plain Paper 64-253 gsm, Note: Heavy 1 =163/209 GSM, Heavy 2= 210/253 GSM , Pre Punched, Bond, Limited support (single sided) for:Transparencies, Glossy paper, Label Paper, Tracing Paper, Tab Paper.	100 % Ratio, Plain Paper, single sided, cassette feed	A3	25.5	Activation From Sleep Mode 4 Mins Max	
		A4	51		
		A4R	25.5	Activation From Energy Saver Mode: -10% mode : approx 170 seconds -25% mode: approx 30 seconds -50% mode: approx 30 seconds	
		A5R	25.5		
	Manual Feed	100% Ratio,Double sided, Plain Paper, Cassette feed	SRA3	19.5	In all cases at a room temperature of @20 C
			A3	15.8	
			A4	32.6	
			A4R	18.2	
	Zoom Range 25-400% (In 1% Increments)		Double Siding A5R-12x18 64-209gsm		
	PAPER SOURCE AND MEDIA SIZES			COUNTER TYPE	
Cassettes 64-209gsm	A5R-B5-B5R-B4-LGL-LTR-LTRR-STMTR-A4-A4R-A3-279x432/(11x17)-305x457/(12x18)		Electronically Changed In Service Mode To Display Various Combinations, Six Displays Available To Customer as default, 8 available in total		
Manual Feed 64-253gsm	A6-SRA3		ENERGY SAVING Sleep Modes 1 & 2, Power Save and low power mode, customer adjustable		
Side Paper Deck-Y1 64-209gsm	A4/B5/LTR (2700 sheets of 80 GSM)		SCANNING OPTION Available over LA N using Colour Network ScanGear/Fiery Scan		

PAPER SPECIFICATION		
Feed Location	Capacity	Type of Media
Standard Cassette	2 x 550 Sheets 80gsm	Plain Paper (64 - 209gsm)
Paper Deck Y1 (A4)	2700 Sheets 80gsm	Plain Paper (64-253gsm)
Manual Feed	Approx 100 Sheets @ 80 gsm	Plain Paper (64- 253gsm) Transparencies Postcard
Duplex	Single Through-path,Double Sided (No Holding Tray)	Plain Paper (64 -209gsm)
Manual Feed Double Sided (Not Duplex)	50 Sheets @ 80 g/m Central Reference Adjustment	Plain Paper (64 - 200gsm)

ENVIRONMENTAL DATA			
Power Consumption	Operating Noise		Ozone Emission
Maximum 1.5Kw or Less	In operation 74 dB or less		Maximum 0.05 ppm or less
	In standby 50 dB or less		Average 0.02 ppm or less
Operating Environment	Min	Max	Heat Output
Ideal Temperature Range	15 °C	27 °C	Not Available
Possible temperature Range	7.5 °C	37.5 °C	Some Quality Issues
Ideal Humidity Range	25%	75%	
Possible Humidity Range	5%	85%	Some Quality Issues



FLOOR LOADING

No special Floor loading requirements. Floor must be level

OTHER INFORMATION

It is recommended to use a dedicated Power Outlet for the machine. Sharing other appliances with the machine may impair product performance. For example, appliances that switch on and off frequently. (Refrigerators)
In all cases, power rating must be considered when using power outlets.

The machine site must be well ventilated and free from exposure to direct sunlight.

**ALL INFORMATION ON THIS DATA SHEET IS SUBJECT TO CHANGE WITH IMPROVEMENT OR REDESIGN OF THE PRODUCT.
FOR INTERNAL USE ONLY NOT FOR PUBLICATION**