


## COPIER/PRINTER TECHNICAL DATA SHEET

REV NO: 1.0

MODEL NAME	TYPE	STANDARD PRINT SPEED	MINIMUM POWER SUPPLY REQUIREMENT		
iR2025/2025i, iR2030/2030i	Body Type: Desktop	25 / 30 CPM A4	Clean 220v 50HZ Via 13 Amp Plug 940W Power Consumption Maximum		
PRODUCT ACCESSORIES				Product Accessories (cont)	
Internal Finisher-U1 Additional Finisher Tray-C1 Inner 2way Tray-E1  2 Cassette Feeder Unit-Q1  Duplex Unit-A1 Document Tray-J1 Card Reader-E1 Card Reader Kit-D1 FL Cassette-AC1  Plain Pedestal Low DADF-P2				Power Supply Kit-Q1 ( Required for Finisher-U2, Cassette Feeding Module-Q1.) Internal Finisher-U1 Additional Finisher Tray-C1 Inner 2 way Tray-E1 Super G3 FAX Board-AA1 Fax Panel-B1 PCL Printer Kit-V1/W1 Card Reader E1	
BASIC COPIER SPECIFICATION		PRINTER ENGINE SPECIFICATION		FIRST COPY OUT TIMES	
1/4 VGA Operation panel LED array Light Source 600 x 600 DPI Scanning 1 x 250 sheet cassette - iR2018i 2 x 250 sheet cassette - iR2022i Manual Bypass up to 100 sheets		Laser Exposure 1200 x 1200 (equivalent) dpi Resolution Printing 600x1200 dpi (equivalent) dpi Resolution Copying '256 Gradations' On Demand Transfer Roller Cleaning Blade		6.9 secs From Glass Conditions: Cassette 1 A4/Ltr Non AE Text mode	
ACCEPTABLE ORIGINAL TYPES		Approx 13sec Warm Up Time (@ 20 C)		TONER CONSUMPTION	
Sheets, Books, 3D Objects Maximum Weight 2KG A3 Maximum Size		256MB RAM		16,600 sheets A4 @6% coverage (2 tubes)	
				DRUM LIFE	
				69,000 copies	
COPYING / PRINTING REPRODUCTION SPEEDS			Copies/min (1-to-N)		
Media Types	Copying Speed	Paper Size	iR2025	iR2030	
A3, A4, A4R, A5, A5R 128 to 432mm Length 148 to 297mm Width Continuous feed: 52-105g/m2 Single feed: 37 to 128g/m2	100 % Ratio Plain Paper to 90gsm	A3	15	15	
		A4	25	30	
		A4R	11	11	
		A5	25.5	25.5	
	Thick paper (91 to 128gsm)		A4	23	23
			A4R	9.5	9.5
			A5	7	7
			A3	14	14
			Zoom Range	Double Siding	
			50~200% (In 1% Increments)	Duplex optional	
Connectivity			COUNTER TYPE		
USB (2.0) 10 Base-T, 100 Base-TX (RJ45) Full Duplex / Half Duplex Canon Custom Processor, 192MHz e-Maintenance RDS Classic/Agent/Embedded Network Printer(PCL/UFRII Lite Colour Send Standard			Electronically Changed In Service Mode To Display Various Combinations, Six Displays Available To Customer		
			Energy save		
			Yes, 3.5W or less Sleep Mode		
			SCANNING OPTION		
			Network Colour Scan (TWAIN Pull Print)		

## PAPER SPECIFICATION

Feed Location	Capacity	Type of Media
Standard Cassette	250 Sheets 80gsm	Plain Paper, Recycled, Colour, Bond (64 - 90gsm) Heavy 1 (81-90gsm)
Manual Feed	80 Sheets 80 gsm A4	Plain Paper, Recycled, Colour, Bond (64 - 80gsm) Heavy 1 (81-90gsm), Heavy 2 (91-105gsm), Heavy 3 (106-128gsm) Transparency (75-90gsm)
Delivery	Face Down	250 sheets max 80gsm

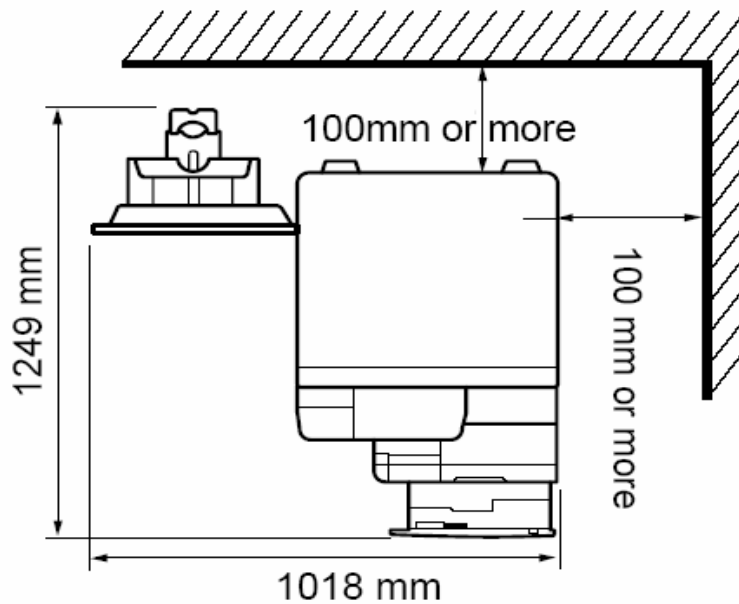
## ENVIRONMENTAL DATA

Power Consumption	Operating Noise		Ozone Emission
1.5 kW max. Continuous copying 612w or less 3.5w or less sleep mode	Copying	Standby	0.01ppm or less (Initial) 0.035ppm or less (after use)
	66.0db or less	40db or less	
Operating Environment	Min	Max	Heat Output
Temperature Range	15 C	27.5C	Max 5.45 BTU/hr Continuous Copying 1.7 BTU/hr
Relative Humidity Range	25%	75%	
Atmospheric Pressure	0.6atm	1.0atm	

## PHYSICAL DATA

	Width	Depth	Height	Weight	Comments
Dimensions iR2025i/2030i	622mm	676mm	757mm	53kg	Basic machine only, no cabinet

## SPATIAL REQUIREMENTS



## FLOOR LOADING

The Weight of the iR2025i/2030i is 53kg

## OTHER INFORMATION

It is recommended to use a dedicated Power Outlet for the machine. Sharing other appliances with the machine may impair product performance. For example, appliances that switch on and off frequently. (Refrigerators)  
In all cases, power rating must be considered when using power outlets.

The machine site must be well ventilated and free from exposure to direct sunlight.

**ALL INFORMATION ON THIS DATA SHEET IS SUBJECT TO CHANGE WITH IMPROVEMENT OR REDESIGN OF THE PRODUCT. FOR INTERNAL USE ONLY NOT FOR PUBLICATION**